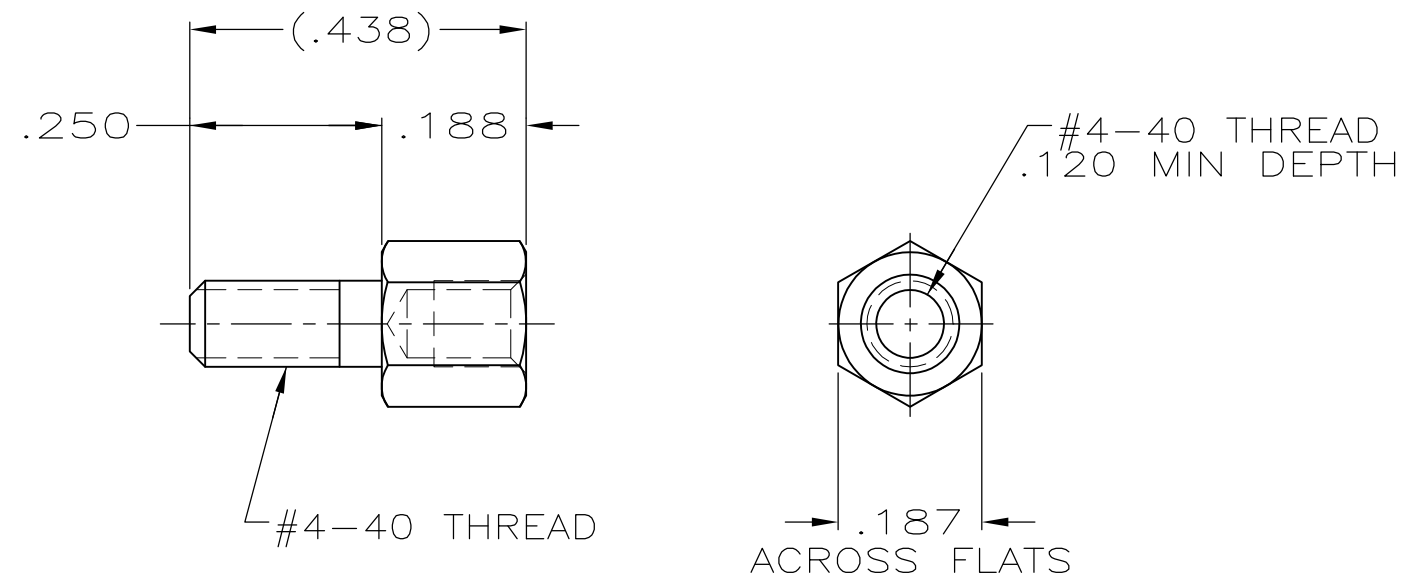


THIS DRAWING IS UNPUBLISHED.      RELEASED FOR PUBLICATION  
 © COPYRIGHT - By -      ALL RIGHTS RESERVED.

LOC	DIST	REVISIONS					
GP	00	P	LTR	DESCRIPTION	DATE	DWN	APVD
		P		REVISED PER ECO-11-004835	19APR11	RK	HMR



- △1 ZINC PLATED .000200-.000400 THICK, YELLOW CHROMATE COATING.
- △2 ZINC PLATED .000200-.000400 THICK, CLEAR CHROMATE COATING.

△2	5207953-3
△1	5207953-2
FINISH	PART NO

THIS DRAWING IS A CONTROLLED DOCUMENT.		DWN	R.RICHARDSON	24JUN05	<b>TE Connectivity</b>									
DIMENSIONS: INCHES		CHK	C.ROHDE	24JUN05										
		APVD	M.WALMSLEY	24JUN05										
TOLERANCES UNLESS OTHERWISE SPECIFIED:		PRODUCT SPEC	-											
0 PLC ± - 1 PLC ± - 2 PLC ± - 3 PLC ± .005 4 PLC ± - ANGLES ± -		APPLICATION SPEC	-		NAME									
MATERIAL		WEIGHT			-			SCREWLOCK, FEMALE, SHORT, AMPLIMITE						
COLD ROLLED STEEL		FINISH			SEE TABLE			SIZE	CAGE CODE	DRAWING NO	RESTRICTED TO			
		CUSTOMER DRAWING			A3 00779 C-5207953			SCALE		4:1	SHEET	1 OF 1	REV	P